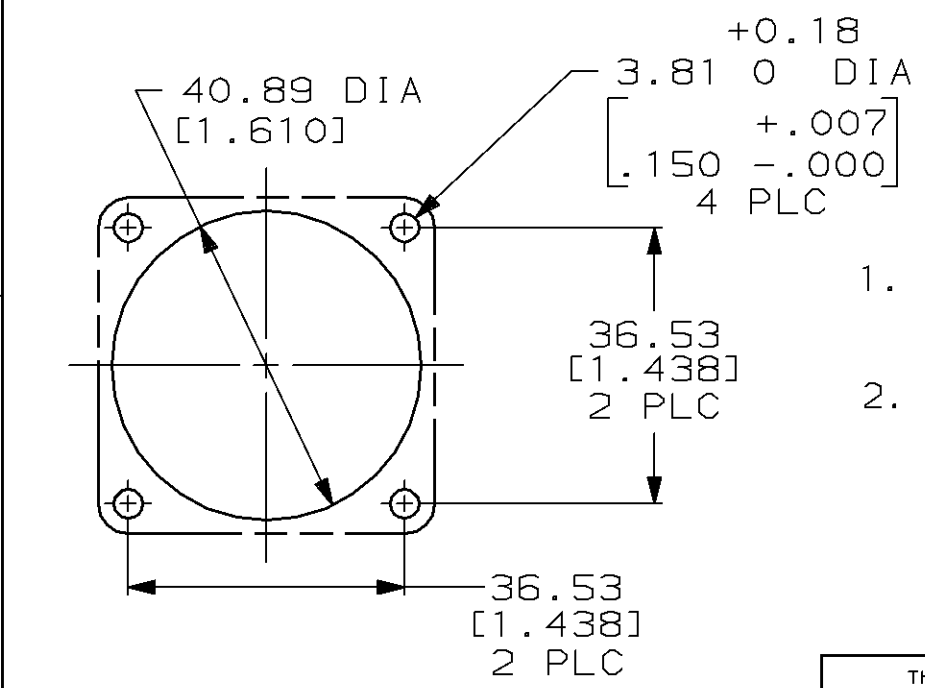
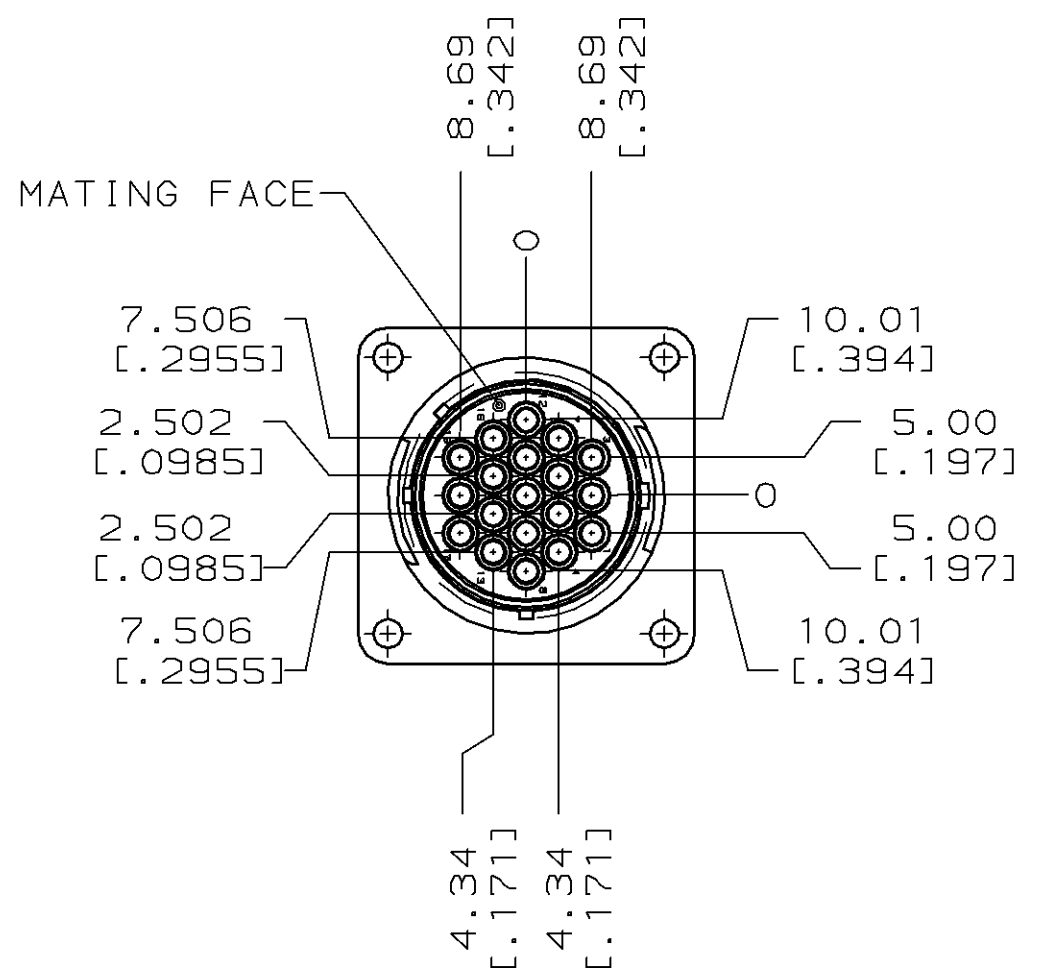
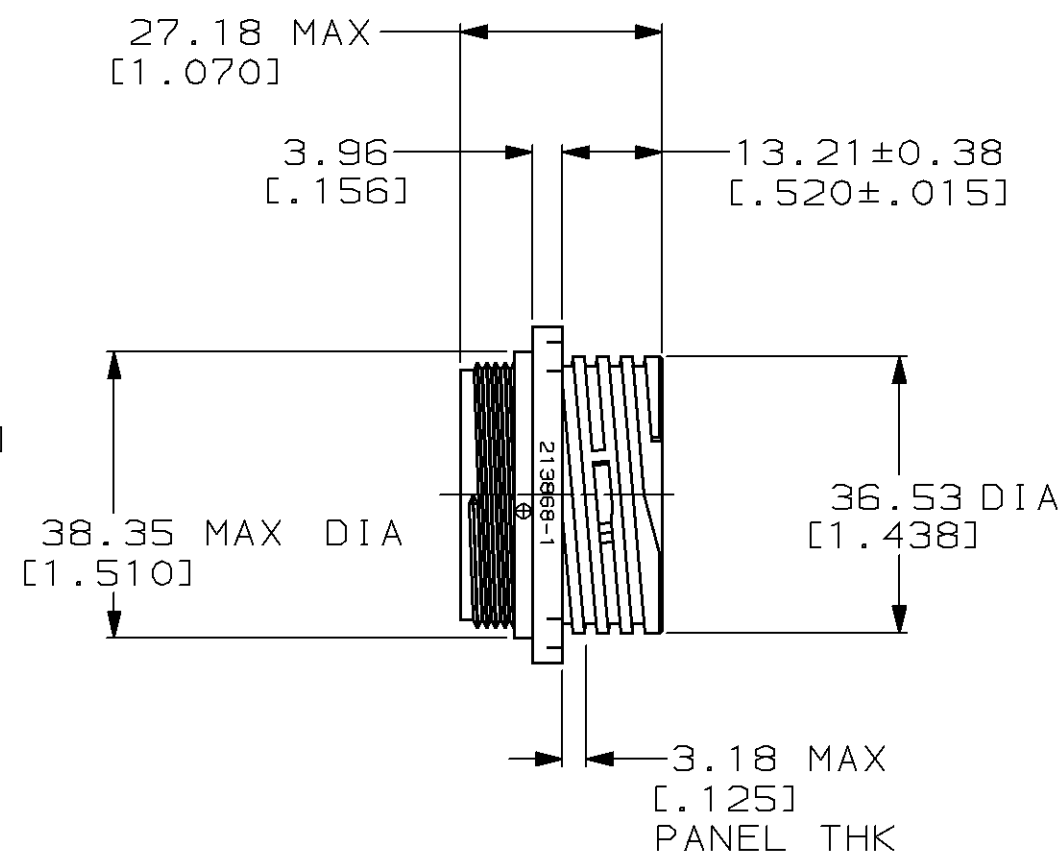
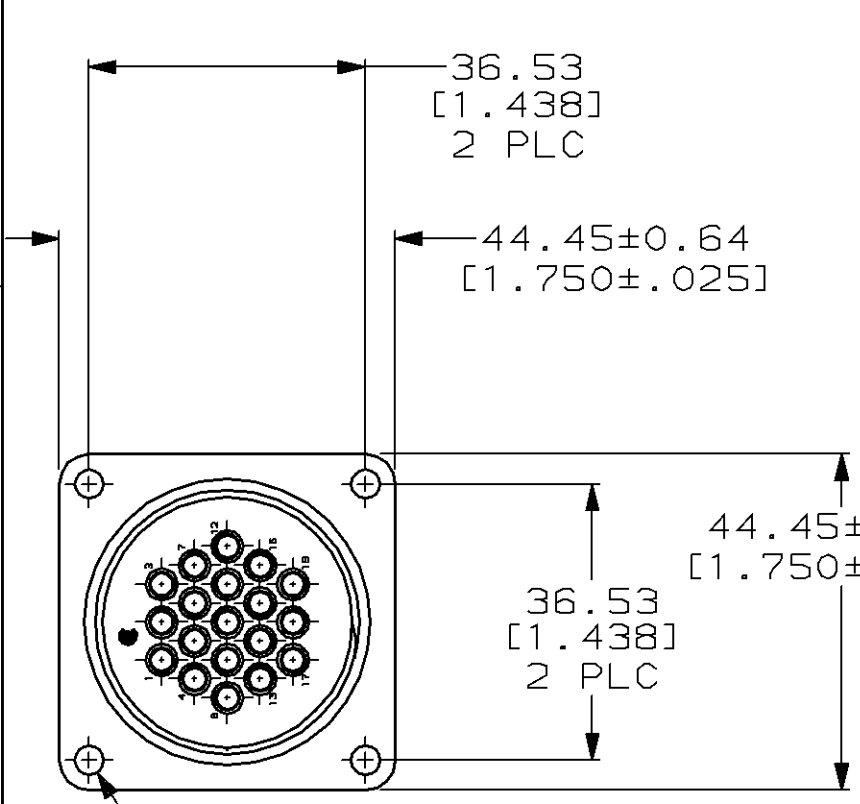


THIS DRAWING IS UNPUBLISHED. RELEASED FOR PUBLICATION, 19  
 © COPYRIGHT 19 BY AMP INCORPORATED. ALL INTERNATIONAL RIGHTS RESERVED.

MOD	LOC	DIST	P	F	ZONE	LTR	DESCRIPTION	DATE	APPD
4	BD	35				0	RLSE PER NPR 5258 WAS 94-5029-031-01	01/03/95	-



1. WILL ACCEPT (19) MULTIMATE SOCKET CONTACTS.
2. CONTACT CAVITIES IDENTIFIED BY CHARACTERS ON FRONT AND REAR FACES OF CONNECTOR.

THIS DRAWING IS A CONTROLLED DOCUMENT FOR AMP INCORPORATED. IT IS SUBJECT TO CHANGE AND THE CONTROLLING ENGINEERING ORGANIZATION SHOULD BE CONTACTED FOR THE LATEST REVISION.

RECOMMENDED PANEL CUTOUT

DO NOT SCALE PRINT. UNLESS SPECIFIED DIMENSIONS IN mm [INCHES] TOLERANCES ON: 2 PLC DEC ± 0.25 [.010] 3 PLC DEC ± - ANGLES ± -		DR 01/03/95 K.FOLTZ	<b>AMP</b> AMP Incorporated Harrisburg, PA 17105-3608
MATERIAL NYLON, BLACK	CHK 01/05/95 R.STONE	NAME RECEPTACLE HOUSING, REVERSE SEX, SIZE 23, CPC	
FINISH -	APPD 01/05/95 T.COULSON	APPD 01/12/95 A.FRANTUM	SIZE B
	PRODUCT SPEC 108-10024	APPLICATION SPEC -	CAGE CODE 00779
	WEIGHT -		DRAWING NO C-213868
			SCALE 2:1
			SHEET 1 OF 1

213868-1  
PART NO